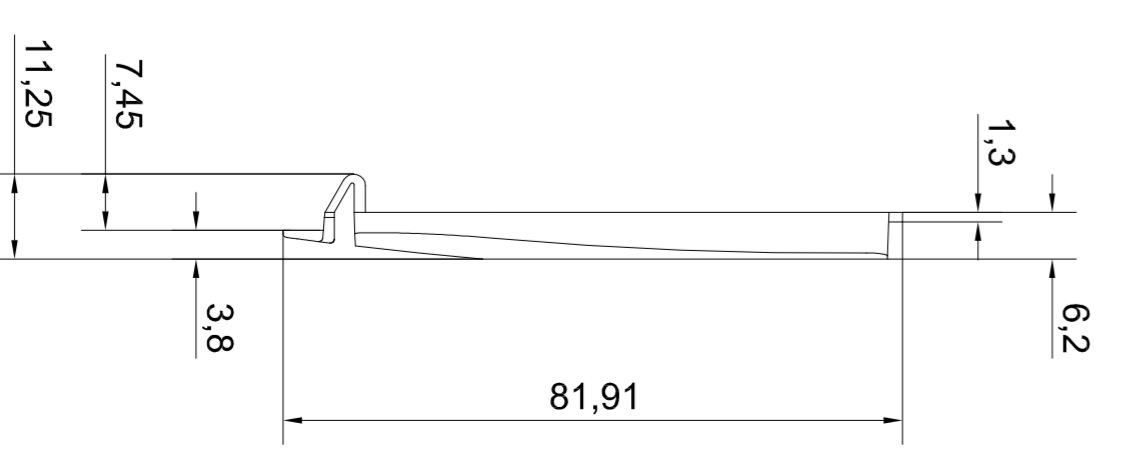
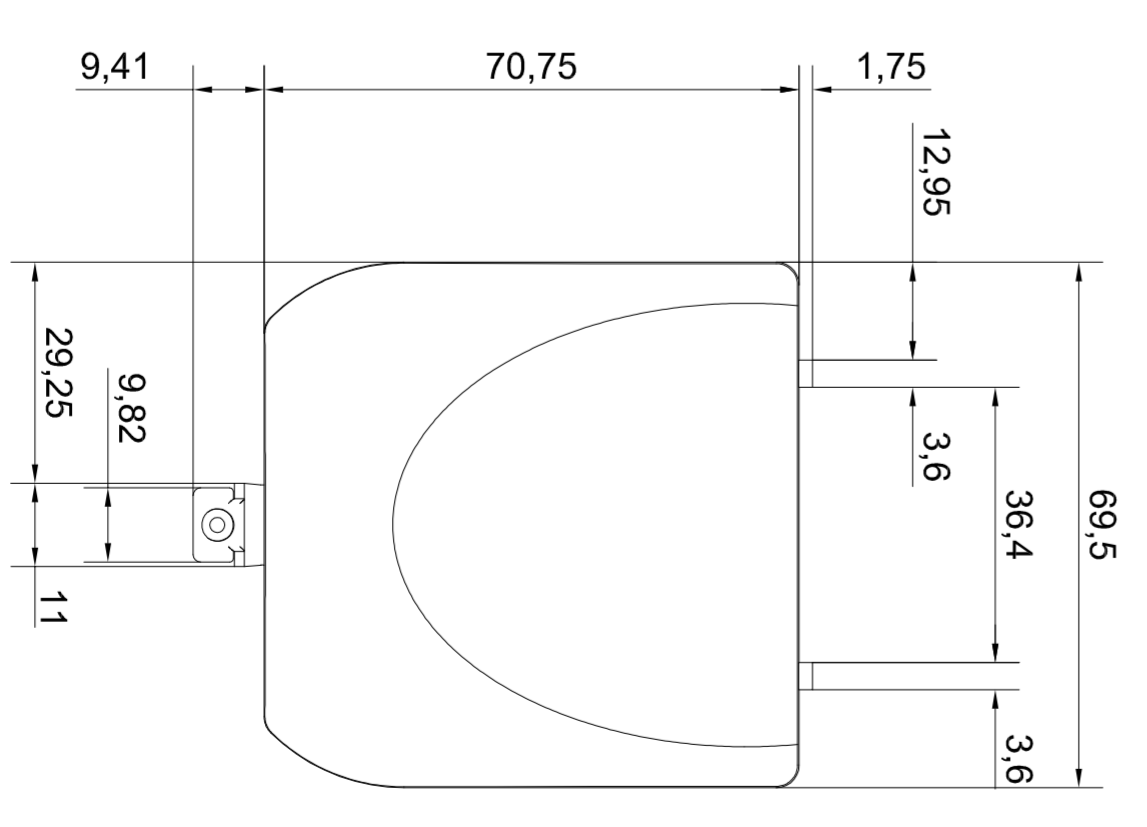
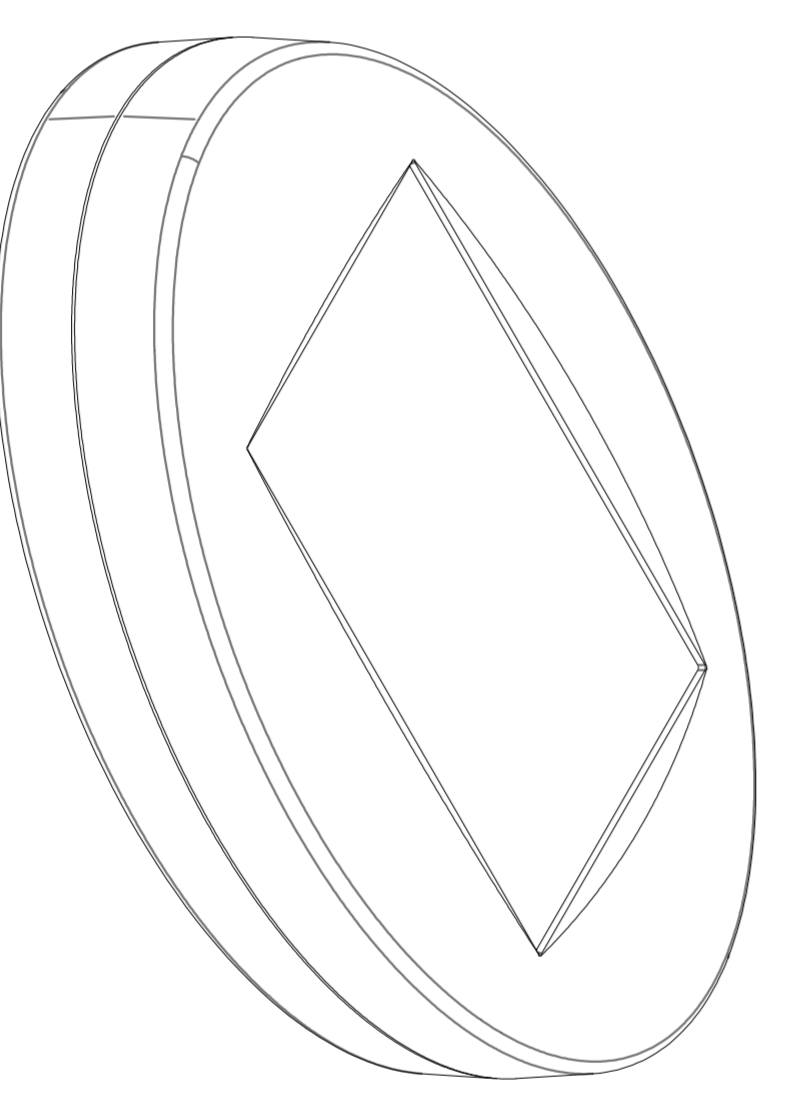
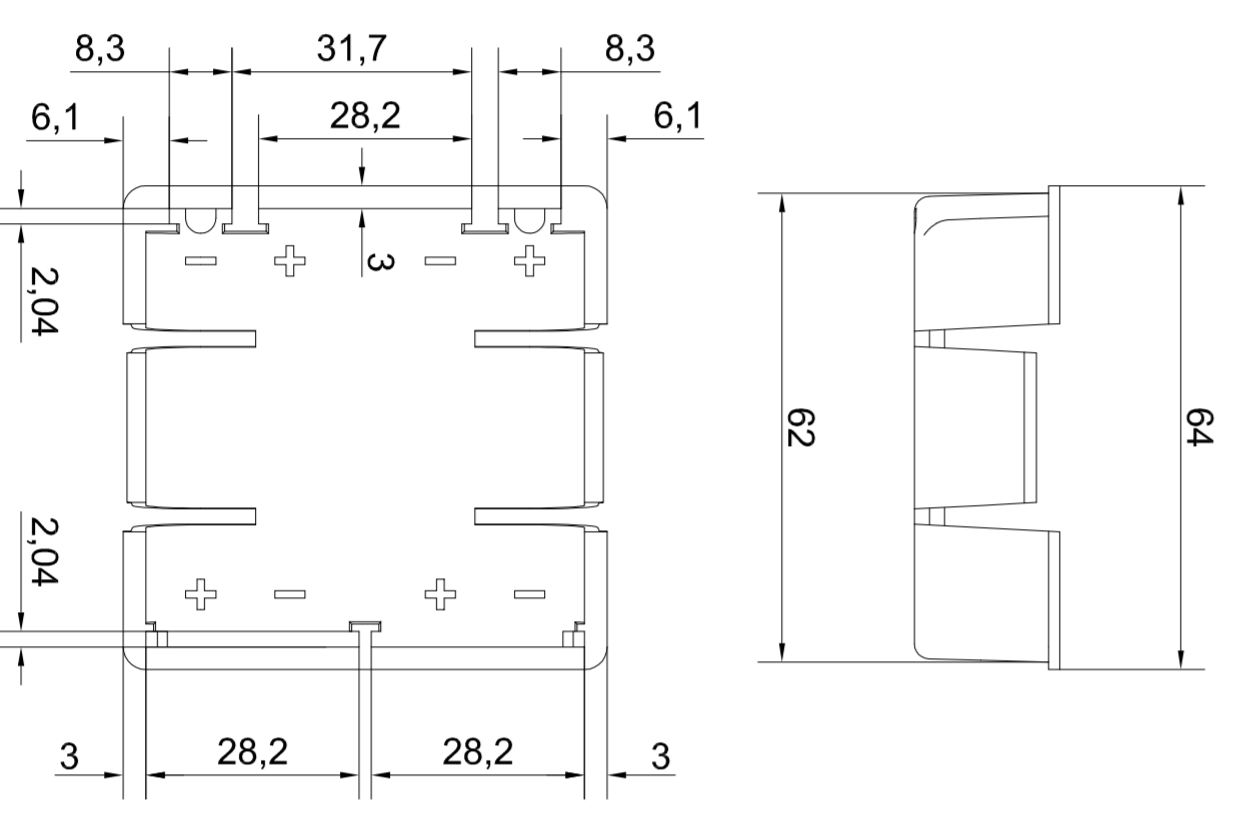
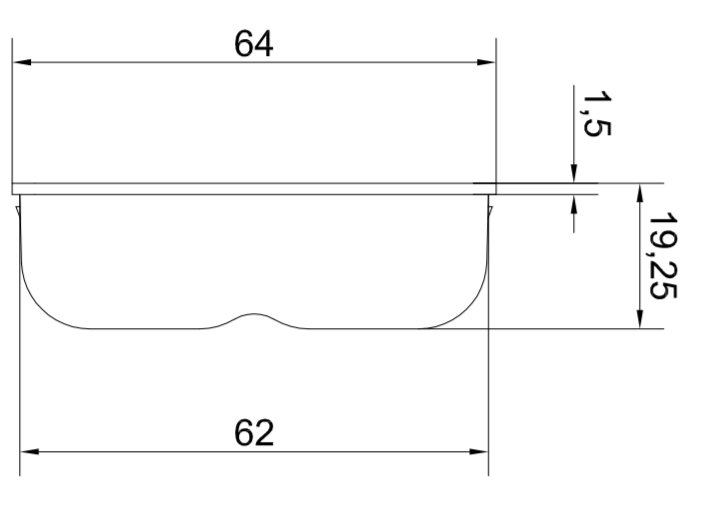
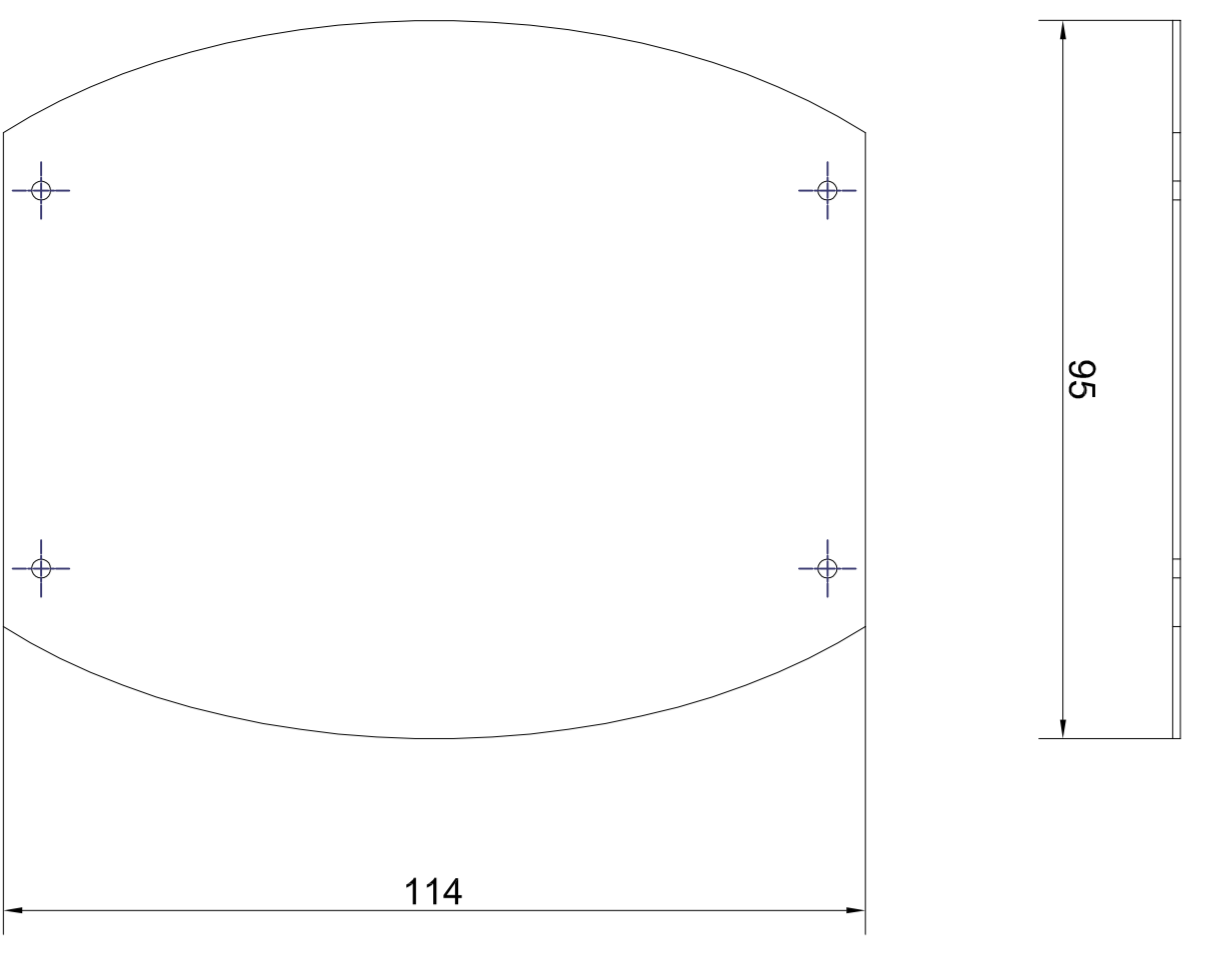


PCB MAX SIZE



		Assembly OK2-B2	
Part Number OK2-B2	Revision 1.1	Date 12/01/2006	Form Code A1
Subjected to technical modification without prior notice. The appearance and dimensions of this enclosure are subject to change without notice. All dimensions should be verified using an actual moulded part. This document is the property of TEKO S.p.A. and its reproduction or copying in any form is strictly prohibited. The conditions stated in the information are retained in confidence and not be used or incorporated in any product.			